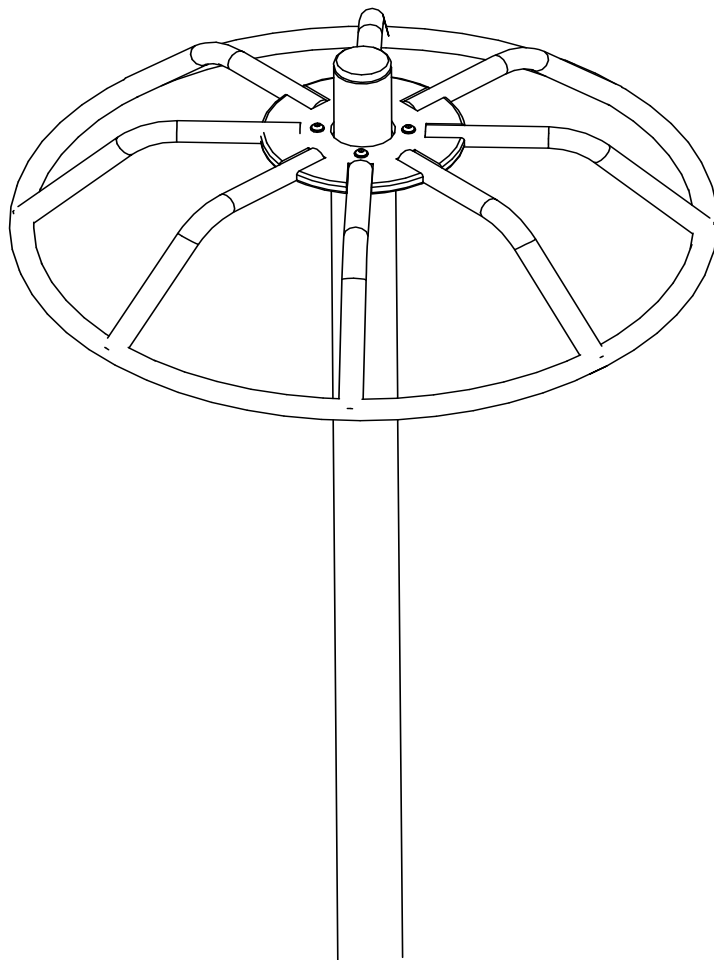
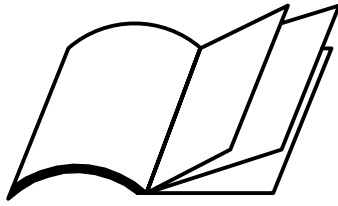
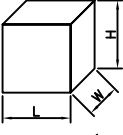
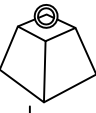

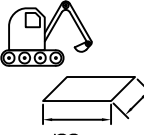
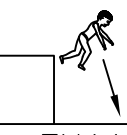



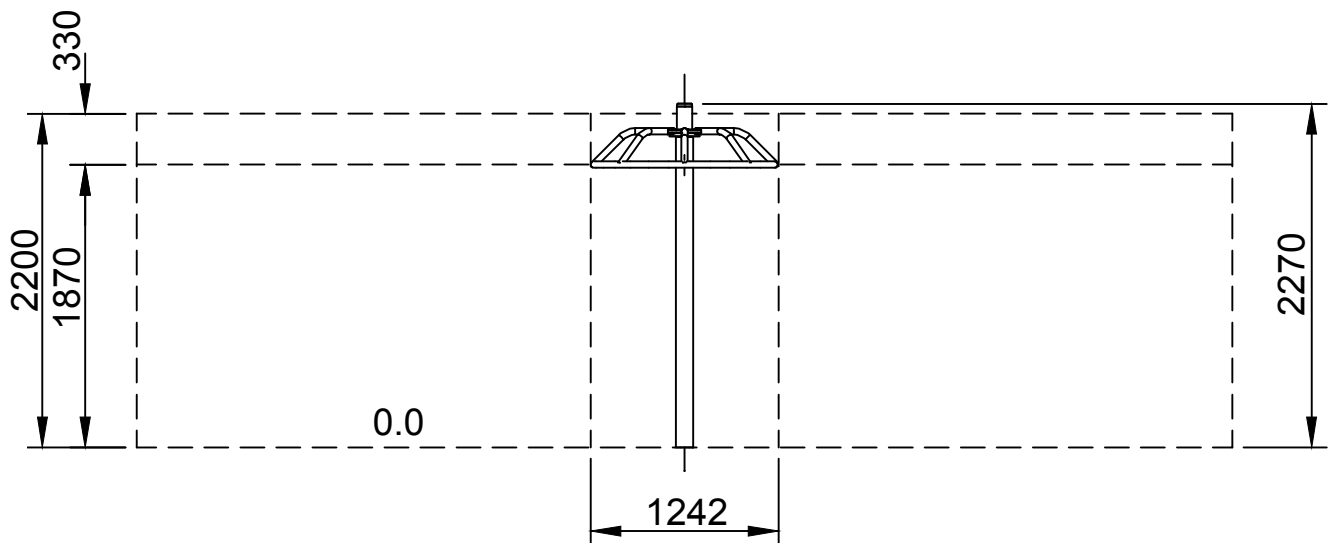
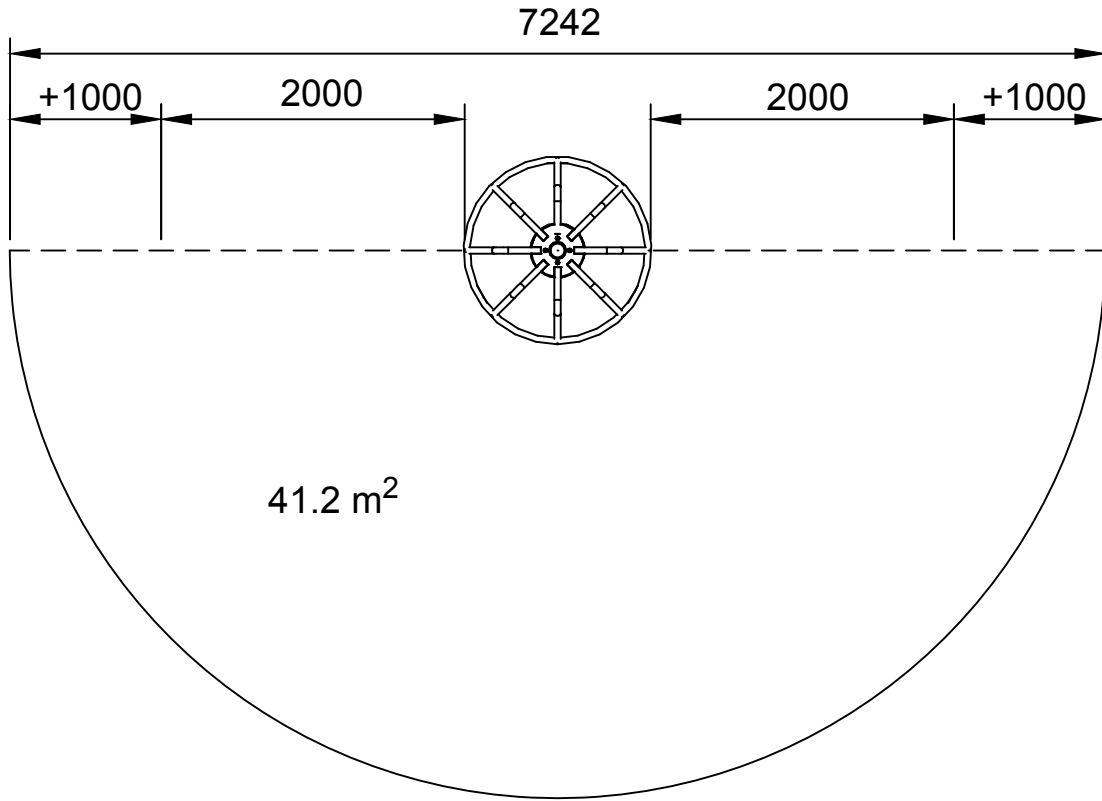
HAGS

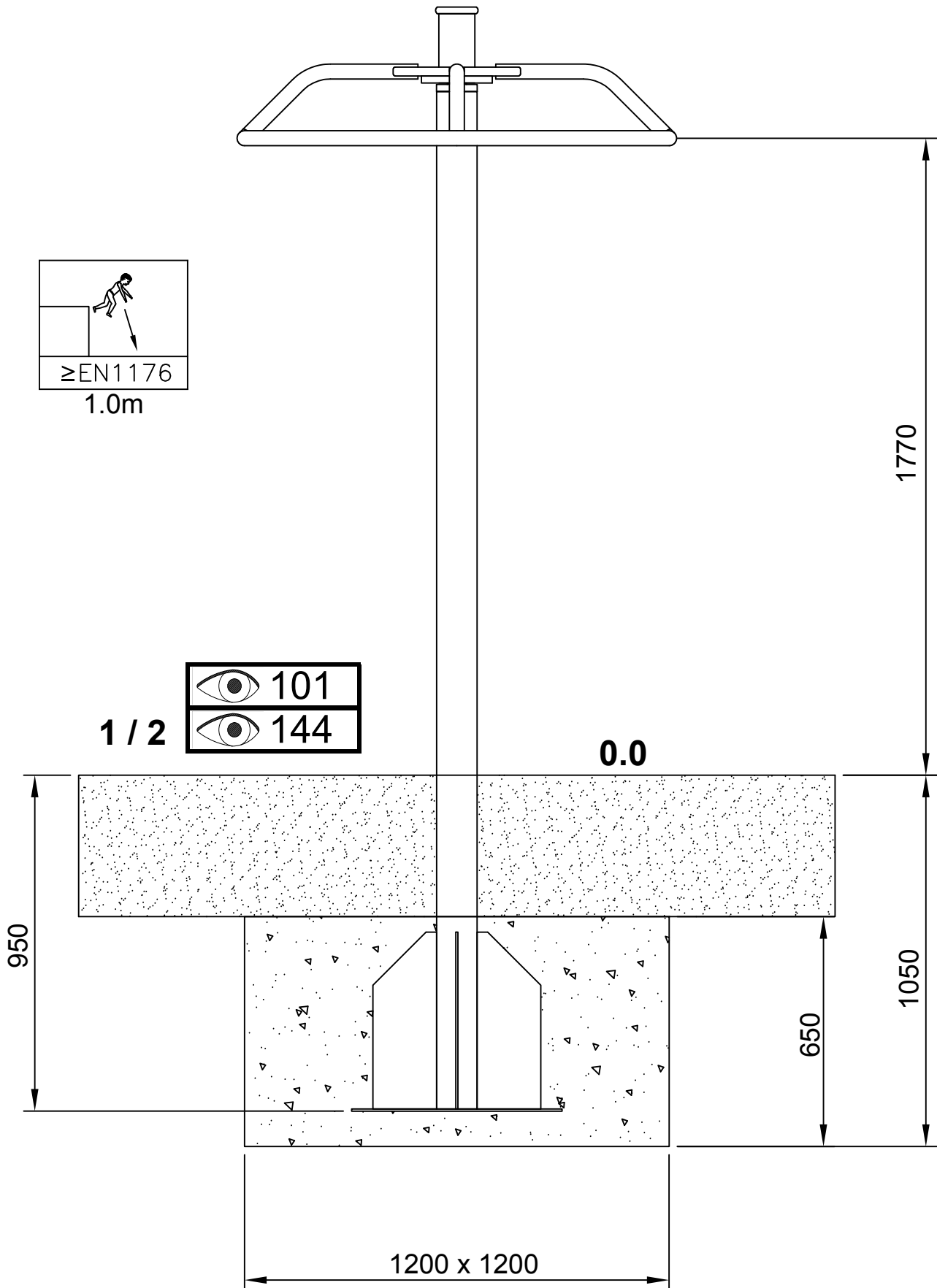
TORNADO CAROUSEL CAR-TOR

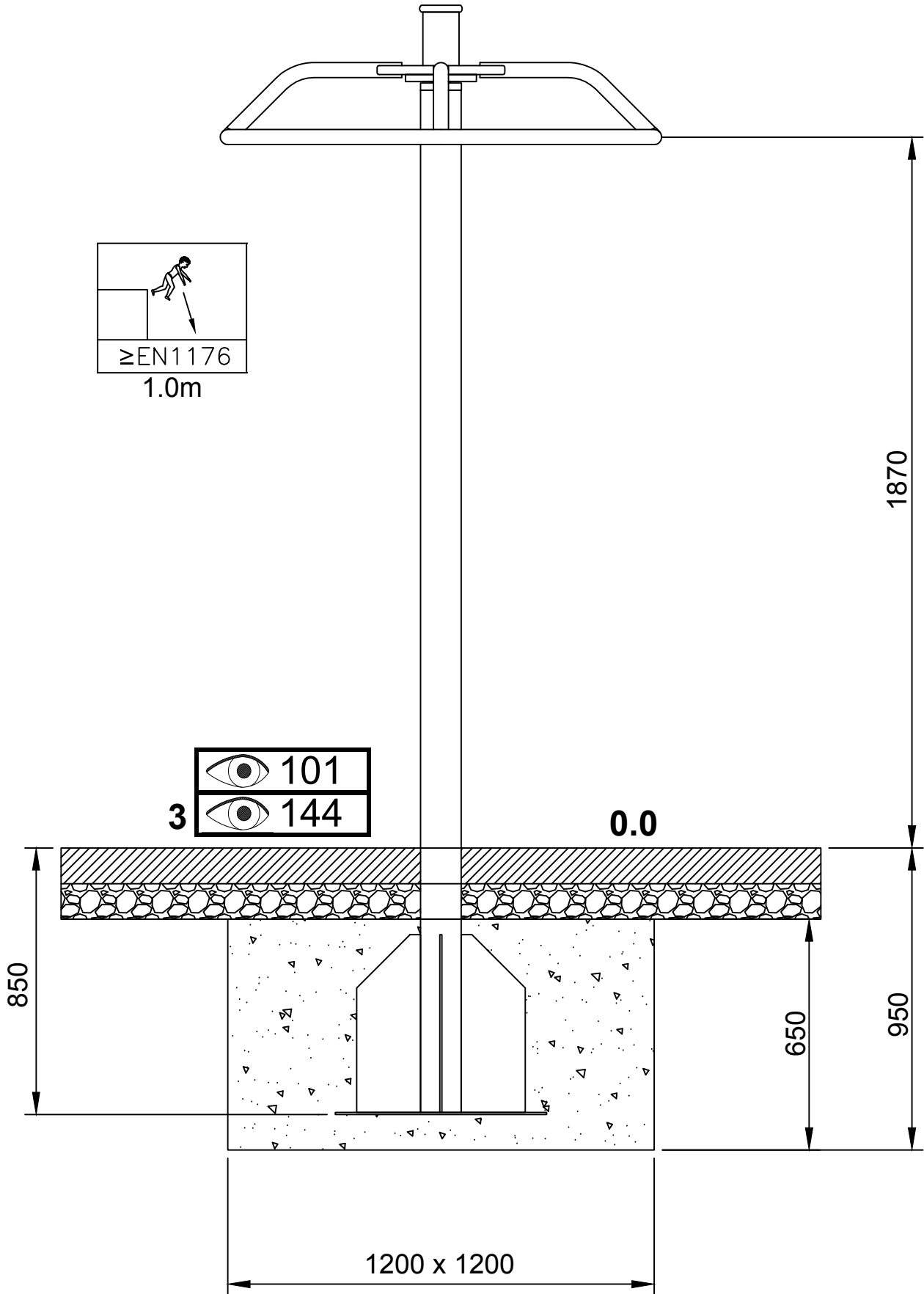




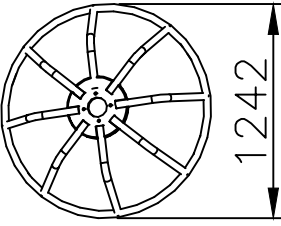
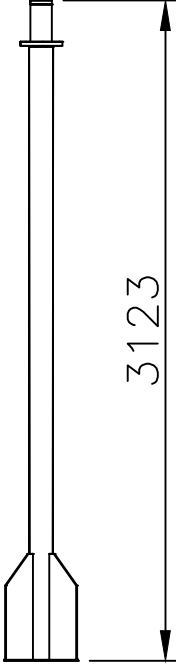
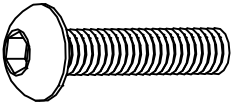
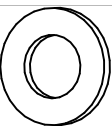
	 LxWxH (m)	 kg	 m ³	 m	 ≥EN1176	 x 3 = T
CAR-TOR	ø1.242 x 2.27	165	0.936	8.00 x 8.00	1.00m	T=5h



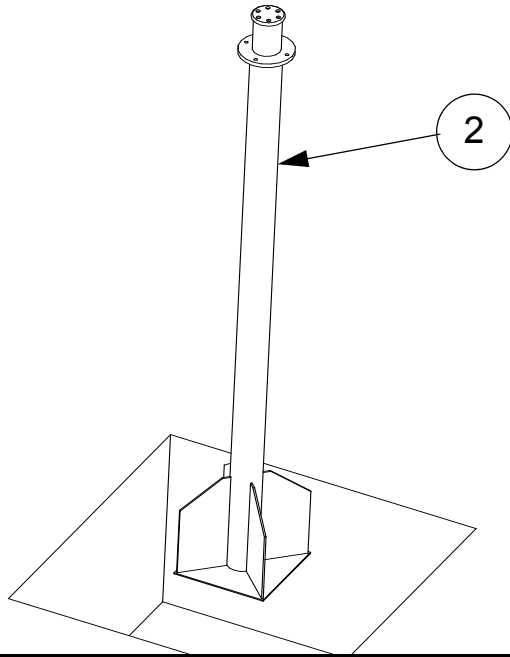


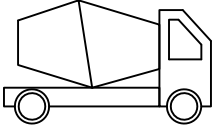




1

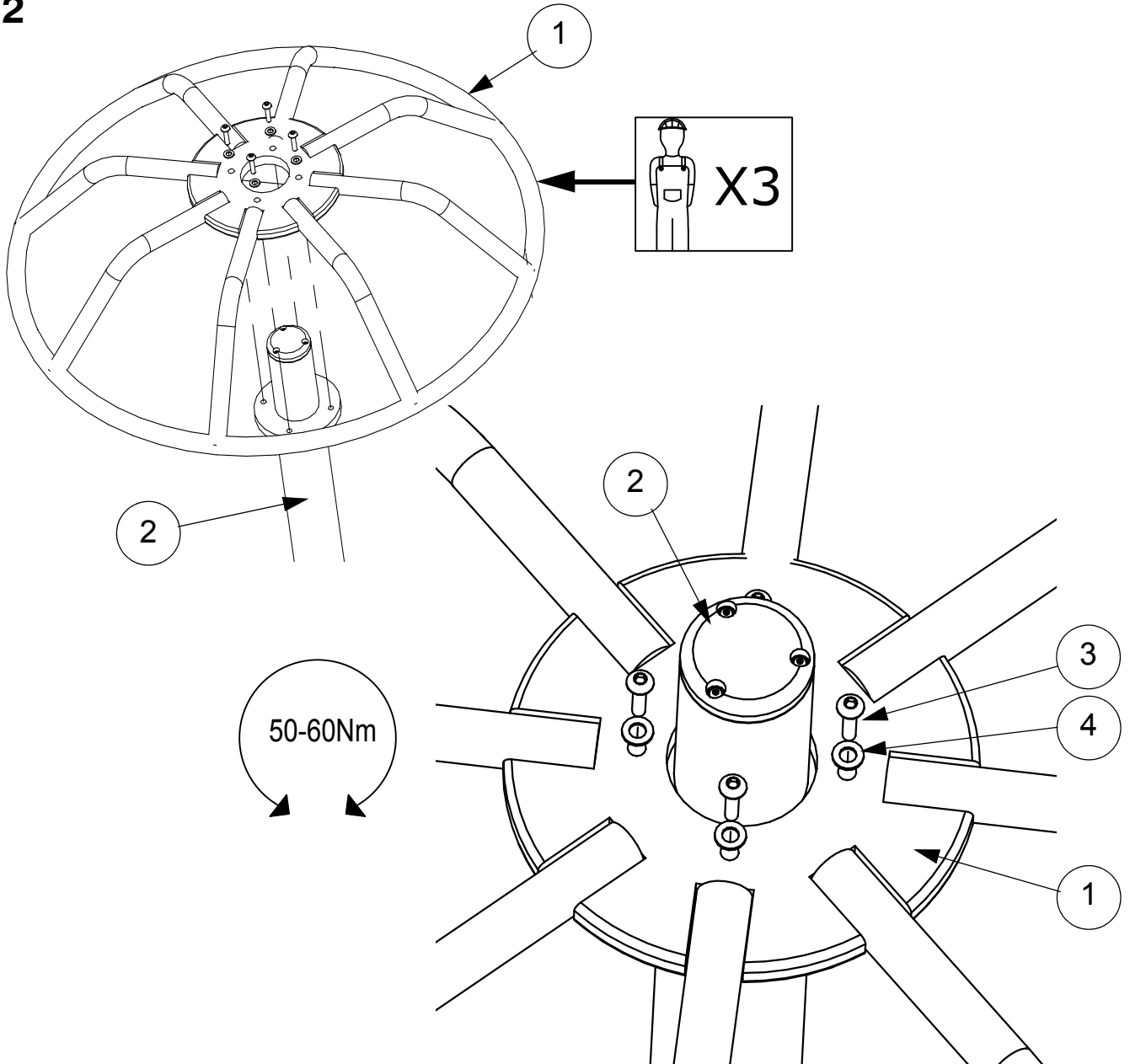
				kg
1	71000907		1x	48.100
2	71000104		1x	115.50
3	10141245	 M12 X 45	4x	0.050
4	10291200	 M12 13X24X2.5	4x	0.003

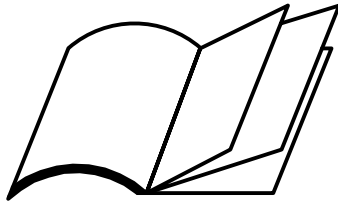
1



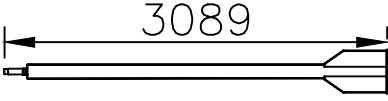
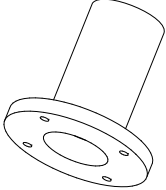

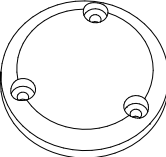

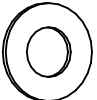
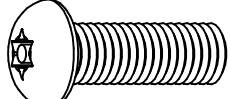
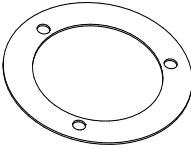
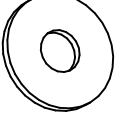
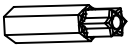
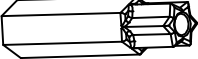
	
S2 (50mm)	
≥C20-25	
	7 x 24h
	101

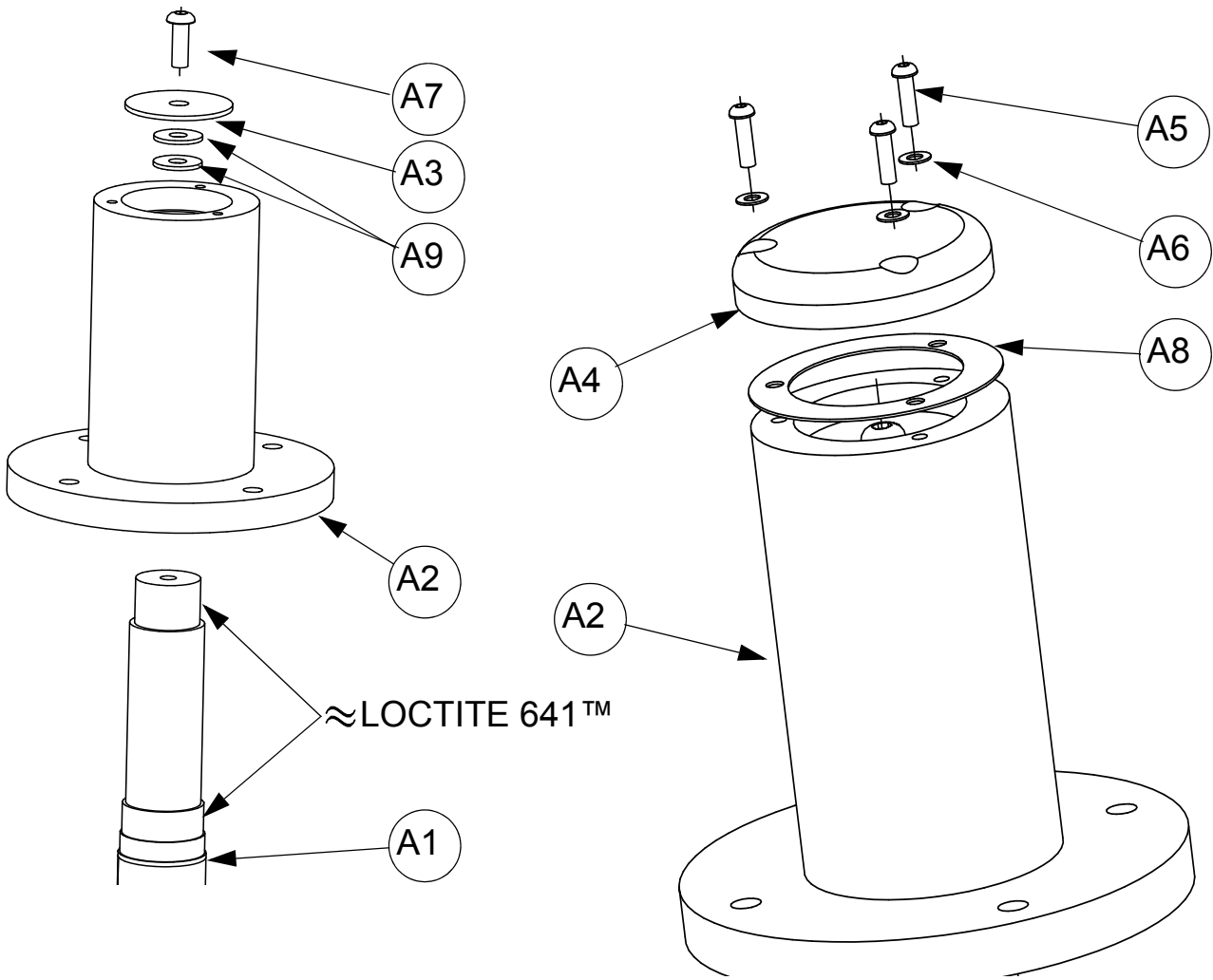
2





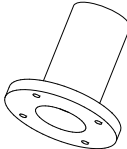



* 71000104

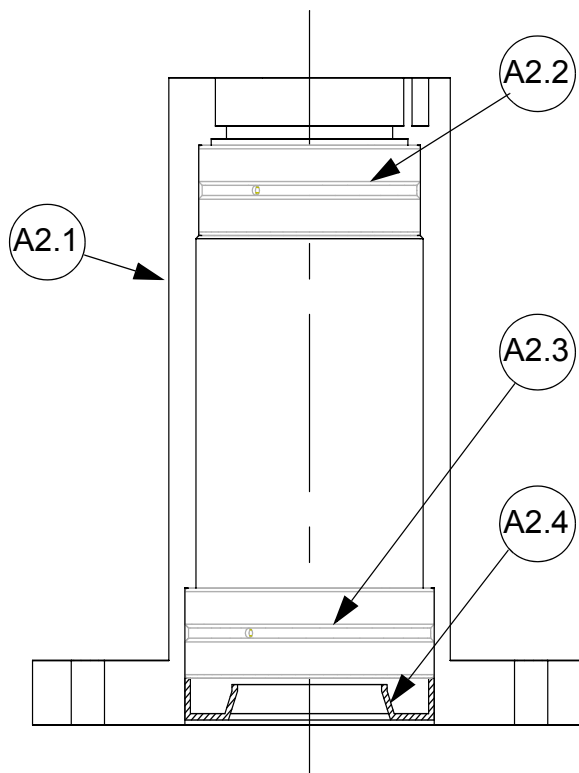
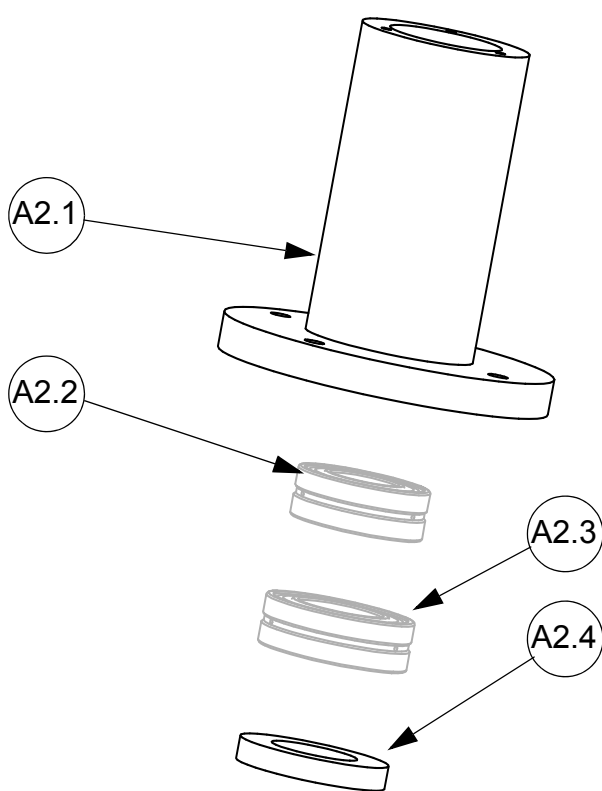
				kg
A1	71000901		1x	104.00
A2	71000101		1x	11.000
A3	71000109		1x	0.080
A4	71000108		1x	0.350
A5	10120620	 M6 X 20	3x	0.013
A6	10290600	 M6 6.4X12.6X1	3x	0.001
A7	10121030	 M10 X 30	1x	0.030
A8	71022209		1x	0.005
A9	10309999	 M10 11X30X2.5	2x	0.011
A10	10120600	 T30 M6	1x	-
A11	10121000	 T45 M10	1x	-

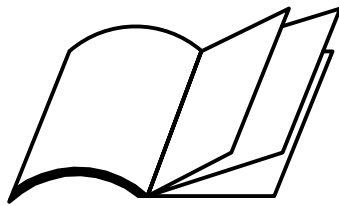


:

* 71000101

				kg
A2.1	71000105		1x	10.100
A2.2	71022208		1x	0.60
A2.3	71022210		1x	0.70
A2.4	71000110		1x	0.015

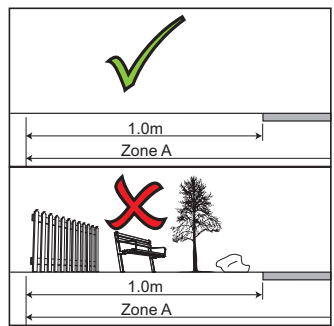
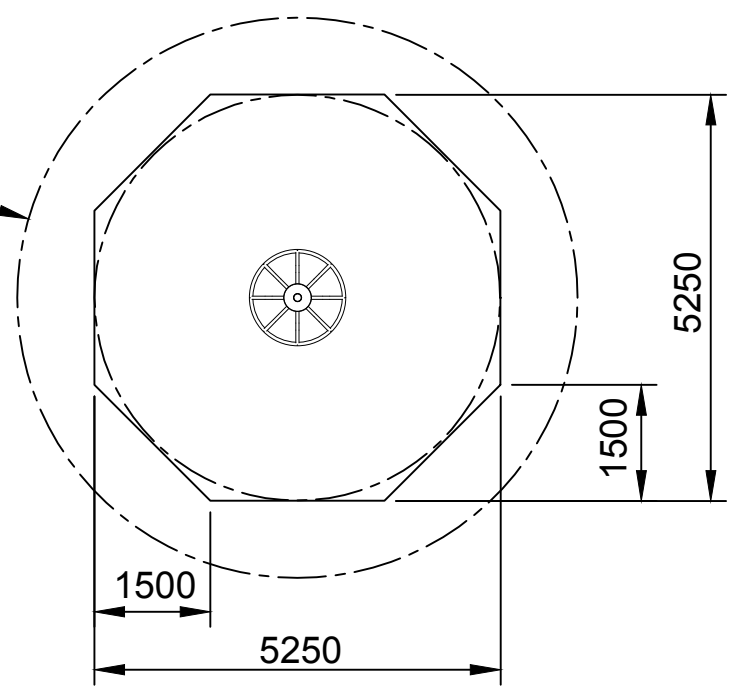




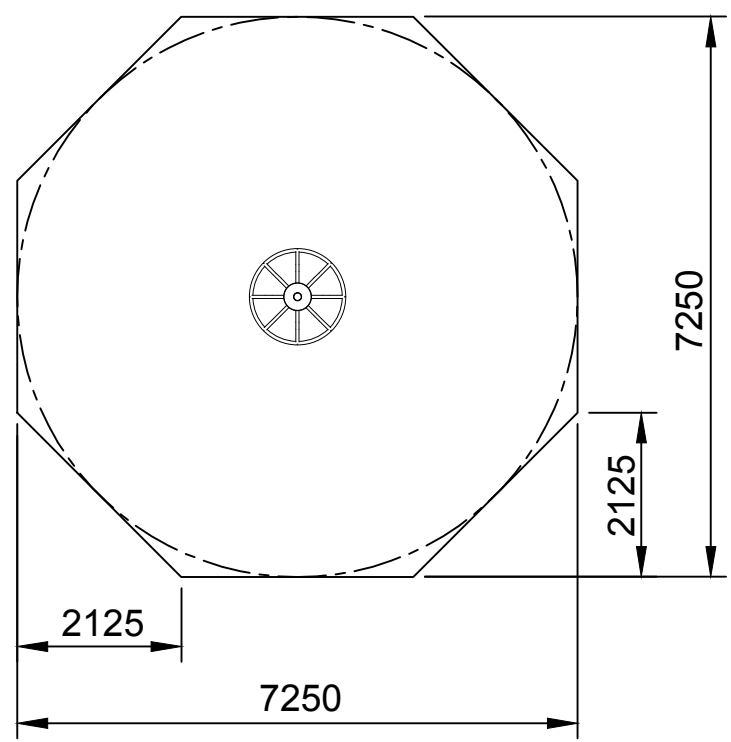
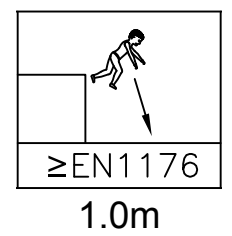
:

Zone A

Ø7250



3  144



1 / 2  144

